

銀科工業的承諾

產品售後服務



所有經銀科工業售出的產品均享有一年產品質量保證，以及14天內退換保證（以出貨日期為準）

如在正常使用和正確安裝的情況下出現損壞，我們定會為您提供免費換貨

香港總公司:

銀科工業(香港)有限公司
香港荃灣沙咀道66A號豪力中心2108室
電話: (852) 2499 9168
傳真: (852) 2417 9183 8343 6887
電郵: sales@silvertech.com.hk
網址: www.silvertech.com.hk

東莞分公司:

東莞動力銀科工業配件有限公司
東莞市塘廈鎮橋龍大道23號銀科大樓
電話: (86-769) 8798 1699 8798 2699
8625 2718 (10綫)
傳真: (86-769) 8798 1313 8625 2719
電郵: dgoffice@silvertech.com.hk

青島辦事處:

青島市市南區寧夏路268號商務樓B413室
電話: (86-532) 8575 5305
傳真: (86-532) 8571 5015
電郵: qdoffice@silvertech.com.hk

深圳工廠:

銀錕德傳動件制造(深圳)有限公司

成都工廠:

成都銀科同步帶輪制造有限公司

常州工廠:

常州銀科傳動件有限公司

Hong Kong Headquarters: (For Import & Export Sales)

Silvertech Industrial (H.K.) Ltd.
Rm.2108, Ho Lik Centre, 66A Sha Tsui Road, Tsuen Wan, Hong Kong.
Tel: (852) 2499 9168
Fax: (852) 2417 9183 8343 6887
Email: sales@silvertech.com.hk
Web Site: www.silvertech.com.hk

China Guangdong Branch Office: (For Domestic Sales)

Silvertech Industrial (Dong Guan) Ltd.
Silvertech Building, 23 Qiao Long Road, Tangxia, Dongguan, Guangdong, China.
Tel: (86-769) 8798 1699 8798 2699
8625 2718 (10Lines)
Fax: (86-769) 8798 1313 8625 2719
Email: dgoffice@silvertech.com.hk

China Qingdao Sales Office: (For Domestic Sales)

Rm.B413, No. 268, Ningxia Road, Qingdao, Shandong, China
Tel: (86-532) 8575 5305
Fax: (86-532) 8571 5015
Email: qdoffice@silvertech.com.hk

China Shen Zhen Factory:

Madler-Silvertech Power Transmission Components (Shen Zhen) Ltd.

China Cheng Du Factory:

Cheng Du Silvertech Timing Pulleys Manufacturing Ltd.

China Chang Zhou Factory:

Chang Zhou Silvertech Power Transmission Products Ltd.

服務投訴電話: (852) 2499 9168、(86) 138 2697 1737

SILVERTECH

www.silvertech.com.hk

專業製造

SILVERTECH 銀科工業



STI 高品質傳動件 High Quality Power Transmission Products

www.silvertech.com.hk

選銀科工業 • 做最好機械
Your 1st choice for Industrial Products



公司簡介

銀科工業(香港)有限公司 – 成立於1992年，總部位於香港，分公司和工廠設於中國內地。公司的主要業務及經營範圍：生產 **STI** 品牌屬下的高質量工業傳動零部件，出口外銷至歐美及其它世界各國，同時也內銷至大中華地區。此外，我們還進口德國、瑞士、意大利、美國、日本和台灣等國家和地區的高科技工業產品，並且是這些世界級著名品牌的大中華區域總代理。

累積近乎二十年服務海外和大中華客戶的經驗，我們不斷的總結、不斷發展、不斷進步，因此而奠下了堅實的基礎，在海內外業界均享有優良的聲譽和知名度。銀科工業無論由：原材料採購 – 生產管理 – 質量控制 – 倉存量控制 – 銷售方式 – 技術支援 – 包裝付運 – 跟蹤到貨 – 售後服務等等，每一環節都務求做到盡善盡美，因為我們切身體會只有得到客戶的信賴才是公司發展的最大希望！

在系統化的在職培訓再加上員工對公司的歸屬感，大家分別工作於香港、東莞、深圳、青島、成都和常州，今天的銀科工業已擁有一支非常專業且盡責的團隊，為國內外工業界提供優質產品，為貼近客戶而盡我們所能！

“選銀科工業 做最好機械” 這不僅是我們的承諾，更是對客戶的責任。

About us

Silvertech Industrial (HK) Ltd was established in 1992, with its headquarter in Hong Kong, and branches as well as factories in mainland China. Our business focuses on the production of high quality power transmission parts under the brand **STI**.

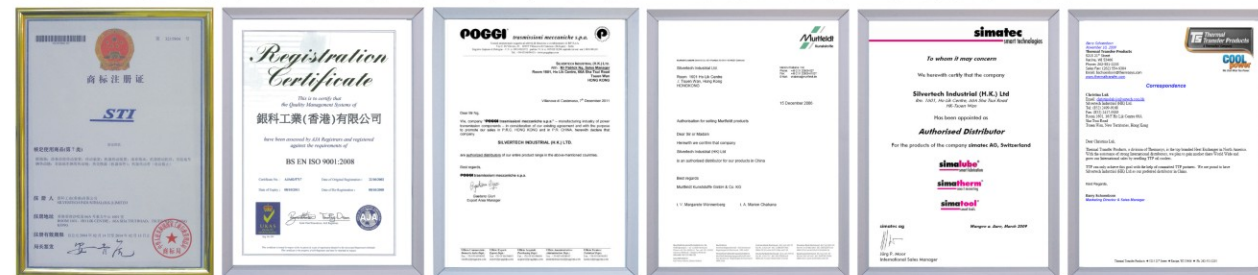
Our products are very popular in the global markets, such as Europe, North American, and Greater China Area. In addition, we are the exclusive dealer in the Greater China Area for a few world-renowned high tech industrial products from Germany, Switzerland, Italy, USA, Japan and Taiwan.

We are growing stronger with almost twenty years experience of serving clients in overseas and Greater China Area. Silvertech Industrial has well developed world reputation and brand loyalty. We arm to provide perfection in our value net, such as procurement of material, production management, quality control, stock and storage, marketing, technical support, logistics, and after sale service. It is our ultimate goal to maintain the trust from our clients and continue with sustainable growth.

Our company engages in systemic on the job training and invests in corporate human resource. We have developed an extremely competent and dedicated team working in Hong Kong, Dongguan, Shenzhen, Qingdao, Chengdu, and Changzhou. We are known as the company providing the best products and service for our customers.

Our promise: **Silvertech – Your 1st choice for Industrial Products**
We take this promise as our responsibility.

公司秉承“准時、準確、高質量為客戶服務”即二准一高的質量方針，將不斷總結和提高對客戶服務的質量。



目錄 Directory

聯軸器系列	COUPLING	001-010
鏈條系列	ROLLER CHAIN	011-027
鏈輪系列	SPROCKET	028-047
同步帶輪系列	TIMING BELT PULLEY	048-092
正齒輪系列	SPUR GEAR	093-104
軸套卡圈系列	SHAFT COLLAR	105-107
錐套系列	TAPER BUSH	108-110
脹緊連接套系列	LOCKING ASSEMBLY	111-165

卡圈, 定位轴套双边夹紧式

Shaft Collars, Clamp Collars Double-Split

材料: C45 钢发黑, 不锈钢 1.4301, 铝 6061

产品特性: 不伤害轴, 轴套夹持力强, 而且夹持力能均衡分布于轴上, 容易调节, 高精度内孔。

厚度 b 公差: +0.08mm/-0.25mm

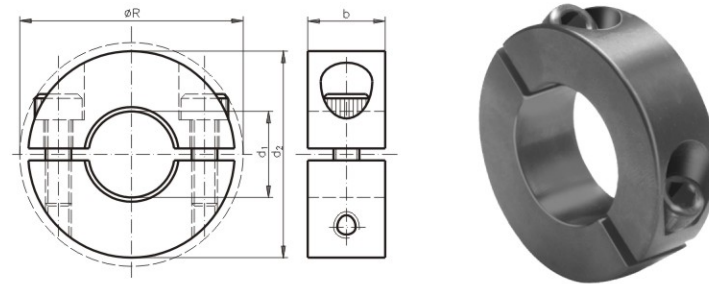
耐温范围: -40°C ~+175°C

Material: Steel C45 burnished, Stainless steel 1.4301, Aluminium 6061.

Features: does not damage the shaft, stronger clamping force than with set collars, even distribution of clamping forces, easy readjustment, precision honed bores.

Tolerance b: +0.08 mm -0.25 mm

Temperature range: -40°C to +175°C.



例 e.g:

080 19 0 4

*双开槽
*Double split
**材料:C45
**Material:45
卡圈宽度
Width
内孔直径
Bore dia

Product No. Steel	Product No. Stainless Steel	Product No. Aluminium	d ₁ mm	d ₂ mm	R mm	b mm	Screws DIN 912	Weight Steel g	Weight Alum. g
003 09 0 4	003 09 9 4	003 09 6 4	3	16	20.7	9	M3 x 8	12	4
004 09 0 4	004 09 9 4	004 09 6 4	4	16	20.7	9	M3 x 8	11	4
005 09 0 4	005 09 9 4	005 09 6 4	5	16	20.7	9	M3 x 8	11	4
006 09 0 4	006 09 9 4	006 09 6 4	6	16	20.7	9	M3 x 8	10	3
007 09 0 4	007 09 9 4	007 09 6 4	7	18	22.4	9	M3 x 8	13	4
008 09 0 4	008 09 9 4	008 09 6 4	8	18	22.4	9	M3 x 8	12	4
009 09 0 4	009 09 9 4	009 09 6 4	9	24	26	9	M3 x 8	25	9
010 09 0 4	010 09 9 4	010 09 6 4	10	24	26	9	M3 x 8	24	8
011 11 0 4	011 11 9 4	011 11 6 4	11	28	31.8	11	M4 x 12	40	14
012 11 0 4	012 11 9 4	012 11 6 4	12	28	31.8	11	M4 x 12	39	13
013 11 0 4	013 11 9 4	013 11 6 4	13	30	33.9	11	M4 x 12	45	16
014 11 0 4	014 11 9 4	014 11 6 4	14	30	33.9	11	M4 x 12	43	15
015 13 0 4	015 13 9 4	015 13 6 4	15	34	39.4	13	M5 x 14	68	23
016 13 0 4	016 13 9 4	016 13 6 4	16	34	39.4	13	M5 x 14	65	22
017 13 0 4	017 13 9 4	017 13 6 4	17	36	41.2	13	M5 x 14	74	26
018 13 0 4	018 13 9 4	018 13 6 4	18	36	41.2	13	M5 x 14	71	24
019 15 0 4	019 15 9 4	019 15 6 4	19	40	46.4	15	M6 x 16	104	36
020 15 0 4	020 15 9 4	020 15 6 4	20	40	46.4	15	M6 x 16	101	35
021 15 0 4	021 15 9 4	021 15 6 4	21	42	48.1	15	M6 x 16	113	39
022 15 0 4	022 15 9 4	022 15 6 4	22	42	48.1	15	M6 x 16	107	37
023 15 0 4	023 15 9 4	023 15 6 4	23	45	50.8	15	M6 x 16	127	44
024 15 0 4	024 15 9 4	024 15 6 4	24	45	50.8	15	M6 x 16	122	42
025 15 0 4	025 15 9 4	025 15 6 4	25	45	50.8	15	M6 x 16	120	41
026 15 0 4	026 15 9 4	026 15 6 4	26	48	53.7	15	M6 x 18	139	48
028 15 0 4	028 15 9 4	028 15 6 4	28	48	53.7	15	M6 x 18	128	44
030 15 0 4	030 15 9 4	030 15 6 4	30	54	58.6	15	M6 x 18	171	59
032 15 0 4	032 15 9 4	032 15 6 4	32	54	58.6	15	M6 x 18	161	56
034 15 0 4	034 15 9 4	034 15 6 4	34	57	61.6	15	M6 x 18	181	62
035 15 0 4	035 15 9 4	035 15 6 4	35	57	61.6	15	M6 x 18	172	60
036 15 0 4	036 15 9 4	036 15 6 4	36	57	61.6	15	M6 x 18	169	59
038 15 0 4	038 15 9 4	038 15 6 4	38	60	65	15	M6 x 18	183	63
040 15 0 4	040 15 9 4	040 15 6 4	40	60	65	15	M6 x 18	172	59
042 19 0 4	042 19 9 4	042 19 6 4	42	73	79.4	19	M8 x 25	383	132
045 19 0 4	045 19 9 4	045 19 6 4	45	73	79.4	19	M8 x 25	360	124
048 19 0 4	048 19 9 4	048 19 6 4	48	78	84.2	19	M8 x 25	414	143
050 19 0 4	050 19 9 4	050 19 6 4	50	78	84.2	19	M8 x 25	386	133
055 19 0 4	055 19 9 4	—	55	82	88.8	19	M8 x 25	395	—
060 19 0 4	060 19 9 4	—	60	88	94.0	19	M8 x 25	440	—
065 19 0 4	065 19 9 4	—	65	93	99.8	19	M8 x 25	465	—
070 19 0 4	070 19 9 4	—	70	98	104.5	19	M8 x 25	495	—
075 19 0 4	075 19 9 4	—	75	103	109.1	19	M8 x 25	525	—
080 19 0 4	080 19 9 4	—	80	108	113.8	19	M8 x 25	550	—

钢件卡圈备注 Remarks to collars from steel

发黑后的卡圈, 可以更加提高和完全发挥其功能, 并且降低在轴上打滑的可能性和具有防松防卡死的特性。此

外发黑氧化层还能起防锈作用, 再加上使用高强度的锁紧螺丝, 能更有效的锁定在轴上。

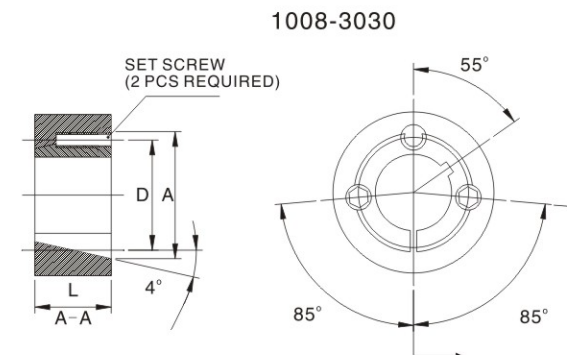
The black oxide on the clamping collars is formulated as part of the total performance of the product. It enhances the holding ability of the collar, it efficiently reduces slipping on the

shaft, has anti-stick-slip characteristics and helps to keep the torque rating of the screw within its designed parameters. The oxide layer also provides corrosion protection.

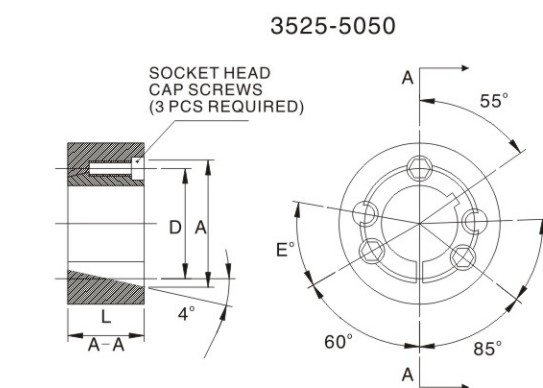
** "0" C45 "6" 铝合金 6061 "9" 不锈钢 1.4301

* "0" 无开槽 *Without split "1" 单开槽 Single split "4" 双开槽 Double split
www.silvertech.com.hk

STI 高品質錐套
HIGH QUALITY TAPER BUSH



BUSH No.	L	A	D	SET SCREWS DIA × LENGTH
1008	7/8	1.386	1-21/64	1/4×1/2
1108	7/8	1.511	1-29/64	1/4×1/2
1210	1	1-7/8	1-3/4	3/8×5/8
1610	1	2-1/4	2-1/8	3/8×5/8
1615	1-1/2			
2012	1-1/4	2-3/4	2-5/8	7/16×7/8
2517	1-3/4	3-3/8	3-1/4	1/2×1
3020	2	4-1/4	4	5/8×1-1/4
3030	3			



BUSH No.	L	A	D	SET SCREWS CAP SCREWS DIA × LENGTH	E°
3525	2-1/2	5	4.83	1/2×1-1/2	40°
3535	3-1/2				
4030	3	5-3/4	5.54	5/8×1-3/4	40°
4040	4				
4535	3-1/2	6-3/8	6.13	3/4×2	40°
4545	4-1/2				
5040	4	7	6.72	7/8×2-1/4	37°
5050	5				

規格尺寸 Dimension

錐套號	內孔	鍵槽
BUSH No.	BORE	BUSHING KEYWAY
1008	10	3 × 1.4
	11,12	4 × 1.8
	14,16	5 × 2.3
	18,19,20,22	6 × 2.8
	24,25	8 × 2.0
1108	10	3 × 1.4
	11,12	4 × 1.8
	14,16	5 × 2.3
	18,19,20,22	6 × 2.8
	24,25	8 × 3.3
1210	11,12	4 × 1.8
	14,16	5 × 2.3
	18,19,20,22	6 × 2.8
	24,25,28,30	8 × 3.3
	32	10 × 3.3
1615	14,16	5 × 2.3
	18,19,20,22	6 × 2.8
	24,25,28,30	8 × 3.3
1610	32,35,38	10 × 3.3
	40	12 × 3.3
	42	12 × 2.2
2012	18,19,20,22	6 × 2.8
	24,25,28,30	8 × 3.3
	32,35,38	10 × 3.3
	40,42	12 × 3.3
	45,48,50	14 × 3.8
2517	20,22	6 × 2.8
	24,25,28,30	8 × 3.3
	32,35,38	10 × 3.3
	40,42	12 × 3.3
	45,48,50	14 × 3.8
5040	55	16 × 4.3
	70,75	20 × 4.9
	80,85	22 × 5.4
	90,95	25 × 5.4
	100,105,110	28 × 6.4
5050	60	18 × 4.4
	70,75	20 × 4.9
	80,85	22 × 5.4
	90,95	25 × 5.4
	100,105,110	28 × 6.4

錐套系列 TAPER BUSH

(mm.)

錐套號	內孔	鍵槽
BUSH No.	BORE	BUSHING KEYWAY
3020	25,28,30	8 × 3.3
	32,35,38	10 × 3.3
	40,42	12 × 3.3
3030	45,48,50	14 × 3.8
	55	16 × 4.3
	60,65	18 × 4.4
3525	70,75	20 × 4.9
	35,38	10 × 3.3
	40,42	12 × 3.3
	45,48,50	14 × 3.8
	55	16 × 4.3
3535	60,65	18 × 4.4
	70,75	20 × 4.9
	80,85	22 × 5.4
4030	90	25 × 5.4
	40,42	12 × 3.3
	45,48,50	14 × 3.8
	55	16 × 4.3
	60,65	18 × 4.4
4040	70,75	20 × 4.9
	80,85	22 × 5.4
	90,95	25 × 5.4
4535	100	28 × 6.4
	55	16 × 4.3
	60,65	18 × 4.4
	70,75	20 × 4.9
	80,85	22 × 5.4
4545	90,95	25 × 5.4
	100,105,110	28 × 6.4
	60,65	18 × 4.4
5040	70,75	20 × 4.9
	80,85	22 × 5.4
	90,95	25 × 5.4
	100,105,110	28 × 6.4
	115,120,125	32 × 7.4

規格尺寸 Dimension

錐套號	內孔	鍵槽
BUSH No.	BORE	BUSHING KEYWAY
1008	1/2,9/16	1/8 × 1/16
	5/8,11/16,3/4,13/16,7/8	3/16 × 3/32
	15/16,1	1/4 × 1/16
1108	1/2,9/16	1/8 × 1/16
	5/8,11/16,3/4,13/16,7/8	3/16 × 3/32
	15/16,1	1/4 × 1/8
1210	1-1/16,1-1/8	1/4 × 1/16
	1/2,9/16	1/8 × 1/16
	5/8,11/16,3/4,13/16,7/8	3/16 × 3/32
1610	15/16,1,1-1/16,1-1/8	1/4 × 1/8
	1/2,9/16	1/8 × 1/16
	5/8,11/16,3/4,13/16,7/8	3/16 × 3/32
1615	1-3/16,1-1/4	1/4 × 1/8
	1-5/16,1-3/8	5/16 × 5/32
	1-7/16,1-1/2	3/8 × 3/16
2012	1-9/16,1-5/8	3/8 × 1/8
	1/2,9/16	1/8 × 1/16
	5/8,11/16,3/4,13/16,7/8	3/16 × 3 × 32
	15/16,1,1-1/16,1-1/8	1/4 × 1/8
	1-3/16,1-1/4	1/4 × 1/8
2517	1-5/16,1-3/8	5/16 × 5/32
	1-7/16,1-1/2,1-9/16,1-5/8	3/8 × 3 × 16
	1-11/16,1-3/4	1/2 × 1/4
	1-13/16,1-7/8	1/2 × 3/16
	1-15/16,2	1/2 × 3/16
5040	1/2	1/8 × 1/16
	5/8,11/16,3/4,13/16,7/8	3/16 × 3/32
	15/16,1-1/16,1-1/8	1/4 × 1/8
	1-3/16,1-1/4	1/4 × 1/8
	1-5/16,1-3/8	5/16 × 5/32
	1-7/16,1-1/2,1-9/16,1-5/8	3/8 × 3/16
	1-11/16,1-3/4	3/8 × 3/16
1-13/16,1-7/8,1-15/16,2-1/16,2-1/8,2-3/16,2-1/4	1/2 × 1/4	
5050	2-5/16,2-3/8,2-7/16,2-1/2	5/8 × 3/16

(In.)

錐套號	內孔	鍵槽
BUSH No.	BORE	BUSHING KEYWAY
3020	15/16,1,1-1/8,1-3/16,1-1/4	1/4 × 1/8
	1-5/16,1-5/8	5/16 × 5/32
	1-7/16,1-1/2,1-9/16,1-5/8,1-11/16	3/8 × 3/16
3030	1-3/4	3/8 × 3/16
	1-13/16,1-7/8,1-15/16,2,2-1/16,2-1/8	1/2 × 1/4
	2-3/16,2-1/4	1/2 × 1/4
3525	2-5/16,2-3/8,2-7/16,2-1/2,2-5/8	5/8 × 5/16
	2-11/16,2-3/4	5/8 × 5/16
	2-7/8,2-15/16,3	3/4 × 1/4
3535	1-3/16,1-1/4	1/4 × 1/8
	1-3/8	5/16 × 5/32
	1-7/16,1-1/2,1-5/8,1-11/16,1-3/4	3/8 × 3/16
	1-7/8,1-15/16,2,2-1/8,2-3/16,2-1/4	1/2 × 1/4
	2-5/16,2-3/8,2-7/16,2-1/2,2-5/8	5/8 × 5/16
4030	2-11/16,2-3/4	5/8 × 5/16
	2-7/8,2-15/16,3,3-1/8,3-3/16,3-1/4	3/4 × 3/8
	3-5/16,3-3/8,3-7/16,3-1/2	7/8 × 1/4
	3-15/16	1 × 1/4
	1-7/16,1-1/2,1-5/8,1-11/16,1-3/4	3/8 × 3/16
4040	1-7/8,1-15/16,2,2-1/8,2-3/16,2-1/4	1/2 × 1/4
	2-3/8,2-7/16,2-1/2,2-5/8,2-11/16,2-3/4	5/8 × 5/16
	2-7/8,2-15/16,3,3-1/8,3-3/16,3-1/4	3/4 × 3/8
	3-3/8,3-7/16,3-1/2,3-3/8,3-11/16,3-3/4	7/8 × 7/16
4535	3-7/8,3-15/16,4,4-7/16	1 × 1/4
	1-15/16,2,2-3/16	1/2 × 1/4
	2-3/8,2-7/16,2-5/8,2-3/4	5/8 × 5/16
	2-7/8,2-15/16,3,3-1/8,3-3/16,3-1/4	3/4 × 3/8
	3-3/8,3-7/16,3-1/2,3-5/8,3-3/4	7/8 × 7/16
4545	3-7/8,3-15/16,4,4-1/8,4-3/16,4-1/4	1 × 1/2
	4-3/8,4-7/16,4-1/2	1 × 1/4
	4-15/16	1-1/4 × 1/4
5040	2-7/16	5/8 × 5/16
	2-15/16	3/4 × 3/8
5050	3-3/8,3-7/16,3-5/8	7/8 × 7/16
	3-7/8,3-15/16,4,4-1/4,4-3/8,4-7/16,	1 × 1/2
	4-1/2	1 × 1/2
5050	4-7/8,4-15/16,5	1 × 1/4 × 7/16

錐套系列 TAPER BUSH